

# ROQ

YOUR PARTNER IN PRINT

DTG

## ROQ GO



NEW



# ROQ GO

## HIGHLIGHTS

UP TO 150 PIECES PER HOUR IN WHITE FABRIC AND 55 IN DARK FABRIC

500 X 700 mm  
20" x 28"  
MAX. PRINT SIZE

MACHINE SUPPLIED WITH A BUILT IN COMPUTER AND PROFESSIONAL RIP (ROQSTUDIO POWERED BY NEOSTAMPA)

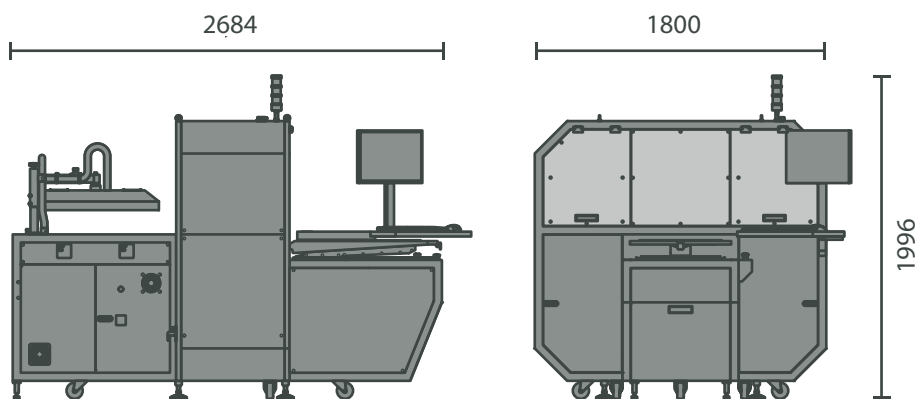
COMPACT DIMENSIONS

CONSISTENT QUALITY IN BULK PRODUCTION

ROBUST AND INDUSTRIAL EQUIPMENT

EXCELLENT WASHING FASTNESS

OPTIONAL BAR CODE SCANNER AVAILABLE



# DTG

## ROQ GO

The ROQ GO is a full digital solution with a single pallet that incorporates the latest technological advances in direct to garment (DTG). This machine can allow for consistent print quality on small and large production runs.

With a printing size of 500X700mm (20"X28"), the ROQ GO is equipped with user-friendly software and is able to produce up to 60 pieces (white fabric) or 35 pieces (dark fabric) of the highest quality prints.

ROQ GO also allows an efficient workflow with the ROQ READY automatic pre-treatment machine.



NEW

# DTG

PRINTER  
STATION

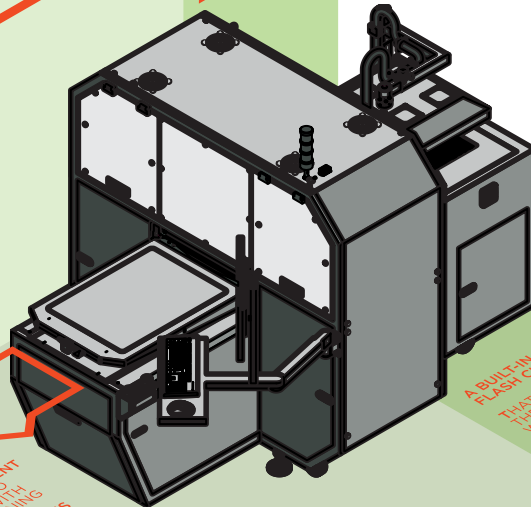


MAIN PRINTING  
RESOLUTION  
508 x 800 dpi  
and 508 x 1200 dpi

INK SHAKER  
IN THE BULK TANKS

5 FUJIFILM®  
STARFIRE PRINTHEADS  
W+CMYK

FLASH CURE  
STATION



AXES MOVEMENT  
USING SERVO  
MOTORS WITH  
A POSITIONING  
ACCURACY  
OF 25 MICRONS  
REAL-TIME INK  
WEIGHING SYSTEM

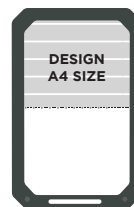
A BUILT-IN  
FLASH CURE  
THAT ALLOWS  
THE CURING OF THE  
WHITE LAYER  
BEFORE PRINTING  
THE COLOR LAYER,  
INCREASING  
PRODUCTIVITY AND  
EFFICIENCY.

# ROQ GO

## TECHNICAL SPECS

<b>VOLTAGE</b> .....	3X400VAC+N+PE 3PH+N+PE 9080W 50/60HZ
<b>COMPRESSED AIR</b> .....	0.7 MPA  100 PSI 10L/MIN./0.35 CFM
<b>OPERATING CONDITIONS</b>	
<b>TEMPERATURE</b> .....	20°C - 25°C 68°F - 77°F
<b>HUMIDITY</b> .....	50-70% NON-CONDENSING
<b>WEIGHT</b> .....	620Kg

	RESOLUTION (dpi)	PIECES /HOUR	TIME FLASH(S)	TIME LOAD/ UNLOAD(S)	IMAGE SIZE (MM)
<b>BLACK/DARK COLOURS</b>	508 x 800	55	10	10	290 x 210
	508 x 1200	45			
<b>WHITE/LIGHT COLOURS</b>	508 x 800	150	NA		
	508 x 1200	90			



DOWNLOAD BROCHURE  
MÁQUINAS DE IMPRESSÃO  
DTG  
PDF



sales@roqinternational.com  
00 351 252 980 500